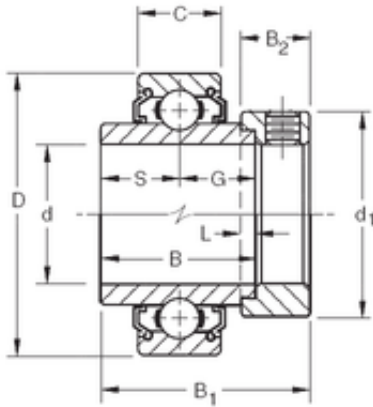




## BEARING-MALAYSIA SDN.BHD.

### 15,875 mm x 40 mm x 27,78 mm TIMKEN 1010KLL Insert Bearings Cylindrical OD



Bearing No. 1010KLL

|                                  |                    |
|----------------------------------|--------------------|
| Size                             | 15.875x40x27.78 mm |
| Bore Diameter                    | 15,875 mm          |
| Outer Diameter                   | 40 mm              |
| Width                            | 27,78 mm           |
| d                                | 15,875 mm          |
| D                                | 40 mm              |
| B                                | 27,78 mm           |
| C                                | 12 mm              |
| d1                               | 28,58 mm           |
| B1                               | 37,31 mm           |
| B2                               | 13,49 mm           |
| G                                | 13,89 mm           |
| L                                | 3,97 mm            |
| S                                | 13,89 mm           |
| Weight                           | 0,141 Kg           |
| Basic dynamic load rating<br>(C) | 10,7 kN            |

1010KLL Bearing 2D drawings and 3D CAD models